

Electrical Mast Connection Master Flash®

INSTALLATION GUIDE

Specifically designed for the **Residential Roofing Industry**,

Advanced Ozone Resistance tested to...		EPDM 70 hour @ 500 pphm	HIGH TEMP GREY OR RED SILICONE 70 hour @ 500 pphm
High Temperature Resistance Tested to	Intermittent	+135°C (+275°F)	+260°C (+500°F)
	Continuous	+100°C (+212°F)	+225°C (+437°F)
Low Temperature Resistance tested to...		-55°C (-67°F)	-74°C (-101°F)
Compression Set Maximum...		25%	50%

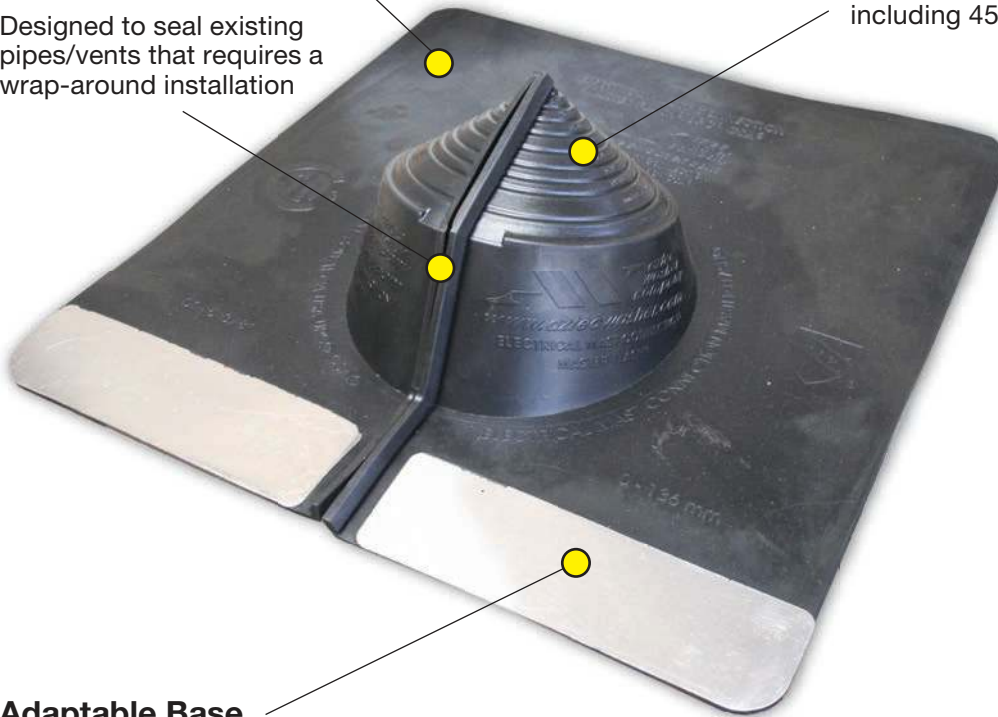
*Complete specification data and testing methods are available upon request.

Weather Protection Made of EPDM or High Temp Red or Gray Silicone,

These flashings are compounded specifically for maximum resistance to weathering due to ozone and ultraviolet light.

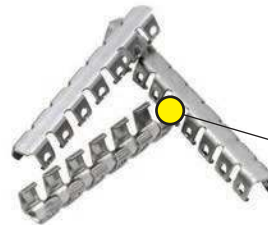
Designed to seal existing pipes/vents that requires a wrap-around installation

The built in 20° pitch allows adaptability to almost any roof pitch including 45°



Adaptable Base

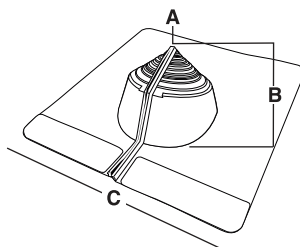
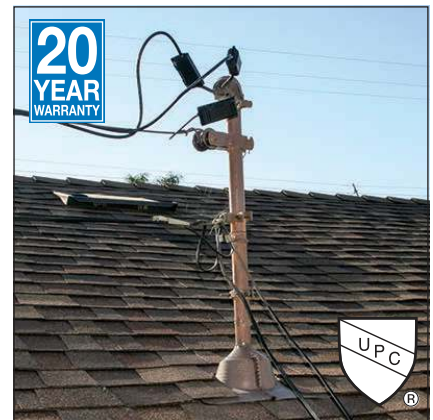
The base is designed to mold to most panel configurations and roof pitches regardless of vent location.



No hassle stainless steel gripper to secure retrofit application included



Pipe diameters can be seen clearly for proper fitting.



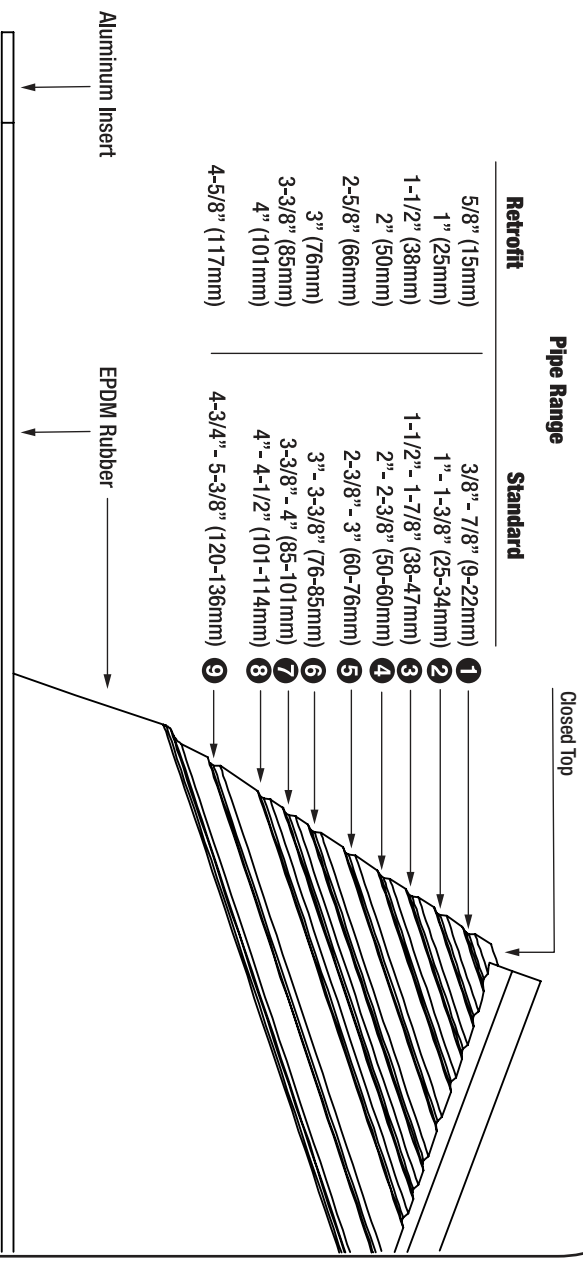
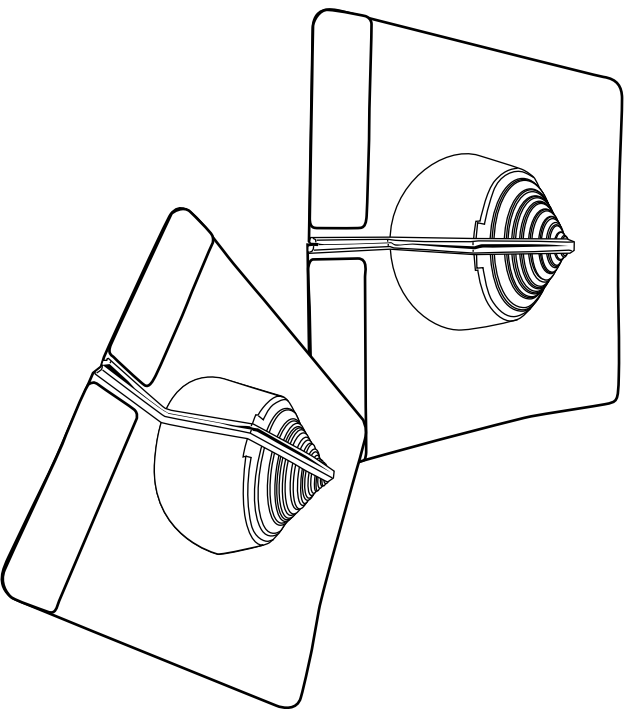
Electrical Mast Connection (EMC) Pipe Range: 0" - 5-3/8"

COMPOUND	PART NO.	FLASHING DETAILS
Black EPDM	EMC101BS	A-Top opening diameter - Closed
Red Silicone	EMC102RS	B-Cut to suit pipe size - Closed - 5-3/8"
Gray Silicone	EMC102GX	C-Base dimensions - 15"

Electrical Mast Connection Master Flash®

INSTALLATION GUIDE

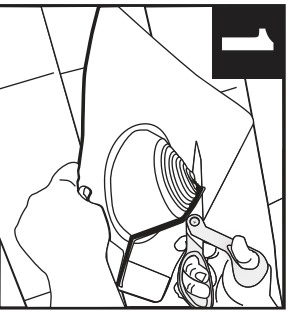
EMC Size and Trimming



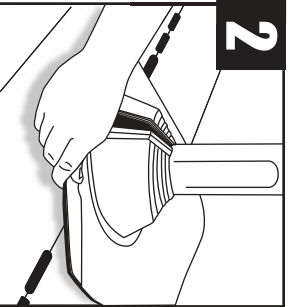
* Find pipe size in table and trim Universal Retrofit Master Flash® as shown on outline. • Use one size larger Universal Retrofit Master Flash® on steep roofs or deep corrugation.
 * Cut the flashing at least 20% less than the pipe Outer Diameter

5 Easy Steps | Installation Materials: EMC | (3) Stainless Steel Grippers | Hammer | Pliers | Snips/Scissors | Roofing Nails | Measuring Tape | Marker/Pencil | Sealant

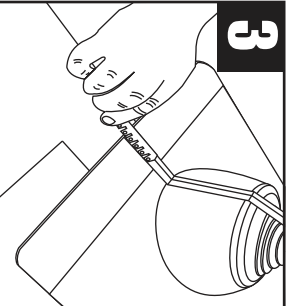
Measure & Trim



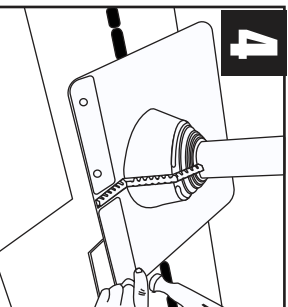
Wraparound



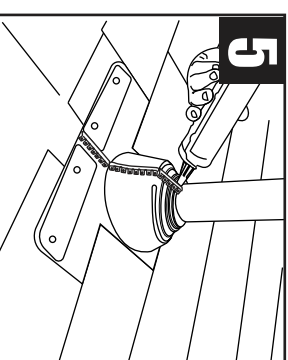
Crimp



Fasten



Complete



Note: Properly installed the lower approximately 1/3" of the (EMC) base will be on the top of the shingles and the upper approximately 2/3" of the (EMC) base will be covered by the shingles



Installation Video: <http://www.aztecwasher.com/installationvideos>

Electrical Mast Connection Master Flash® is a product of Aztec Washer Company 4/2020